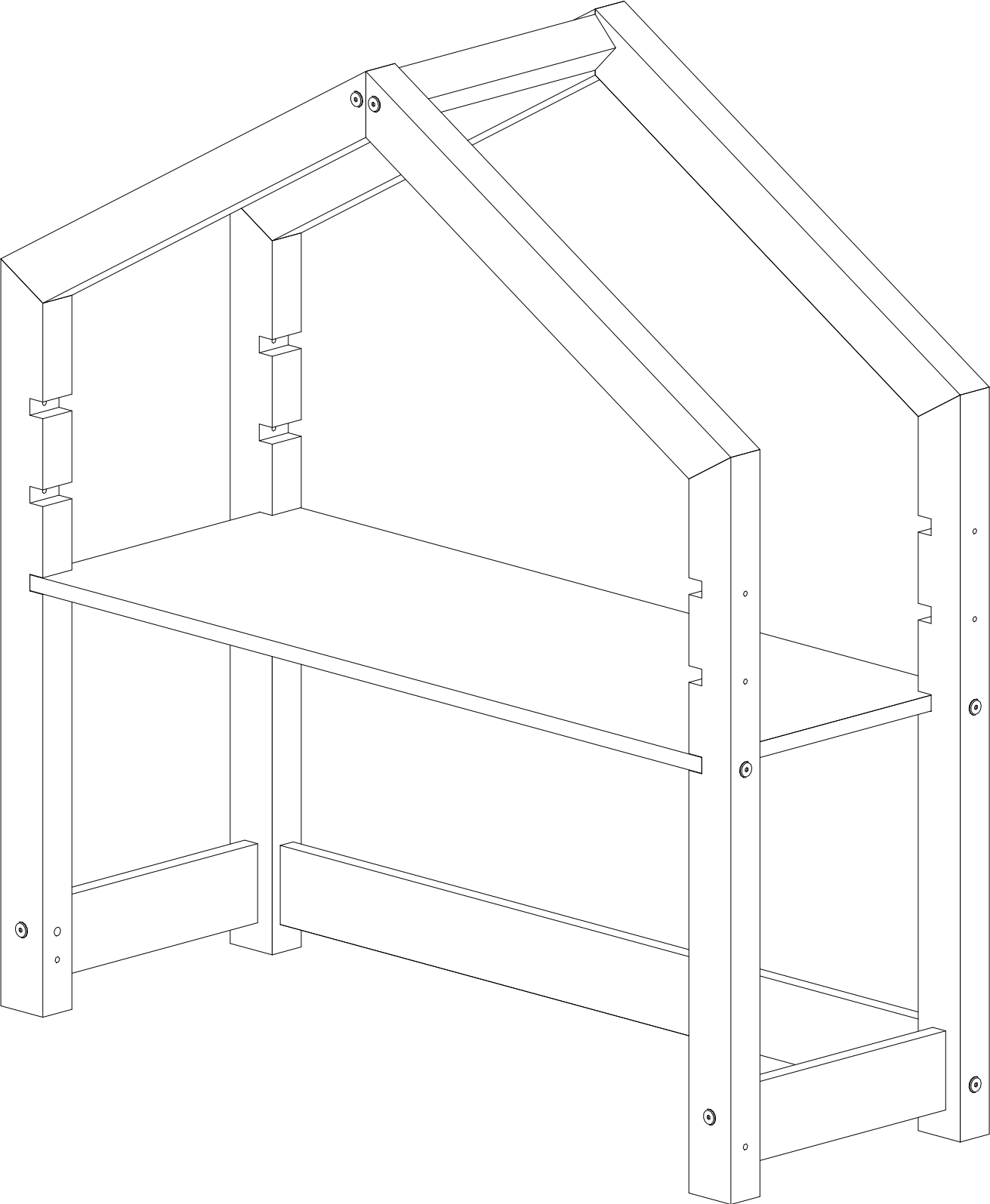
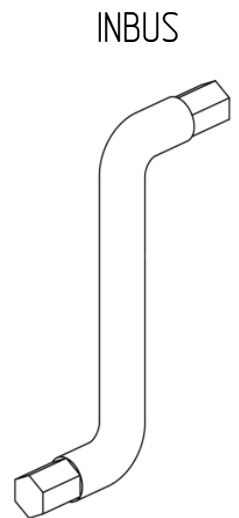
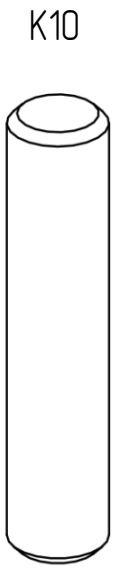
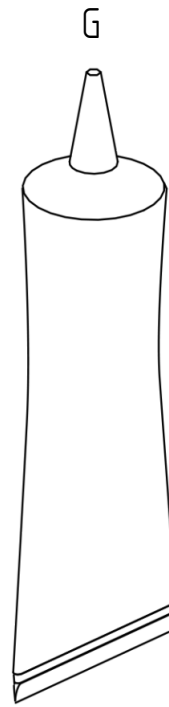
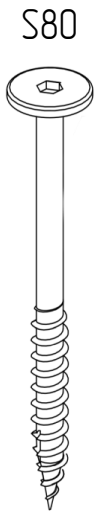
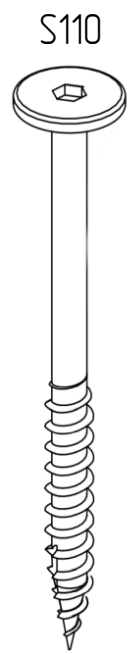
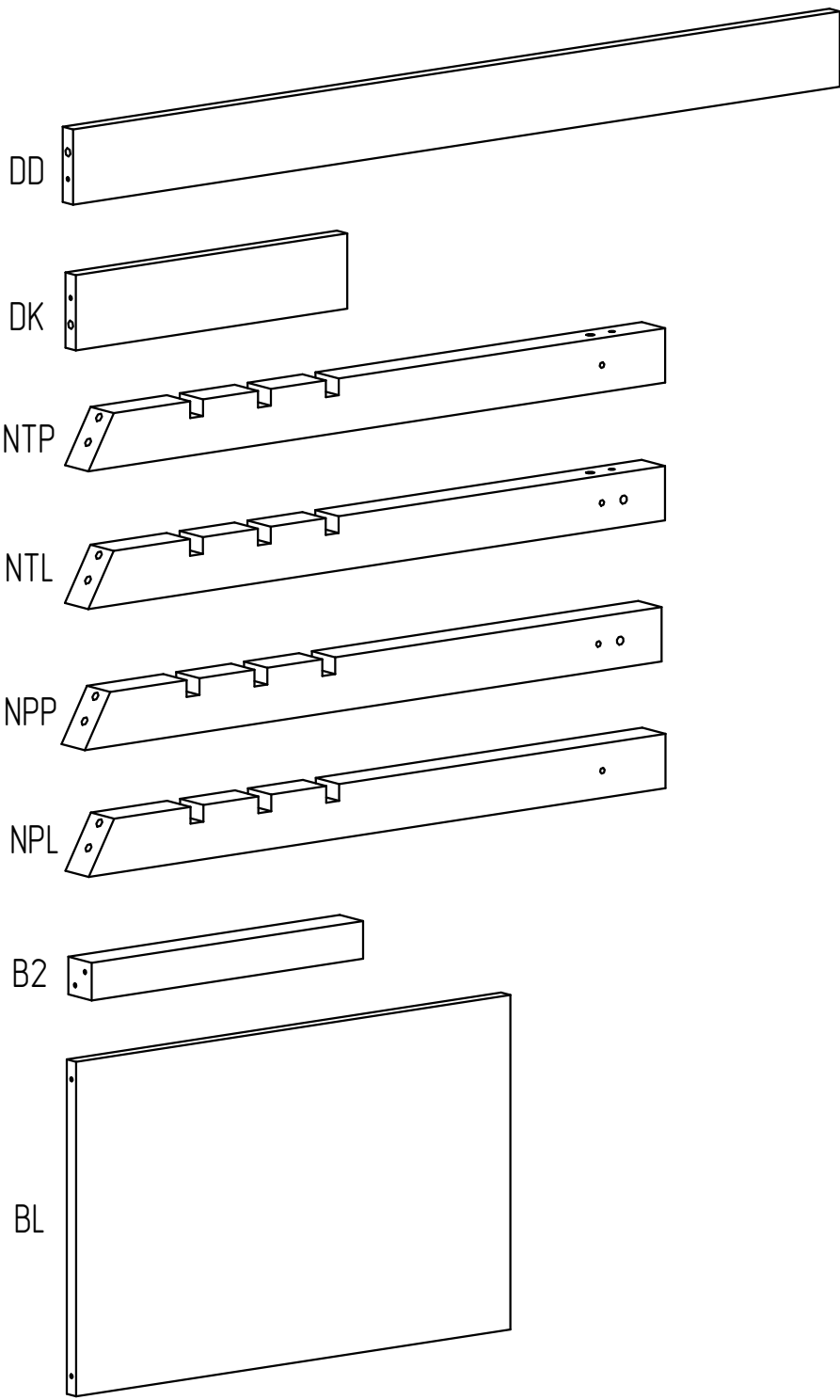
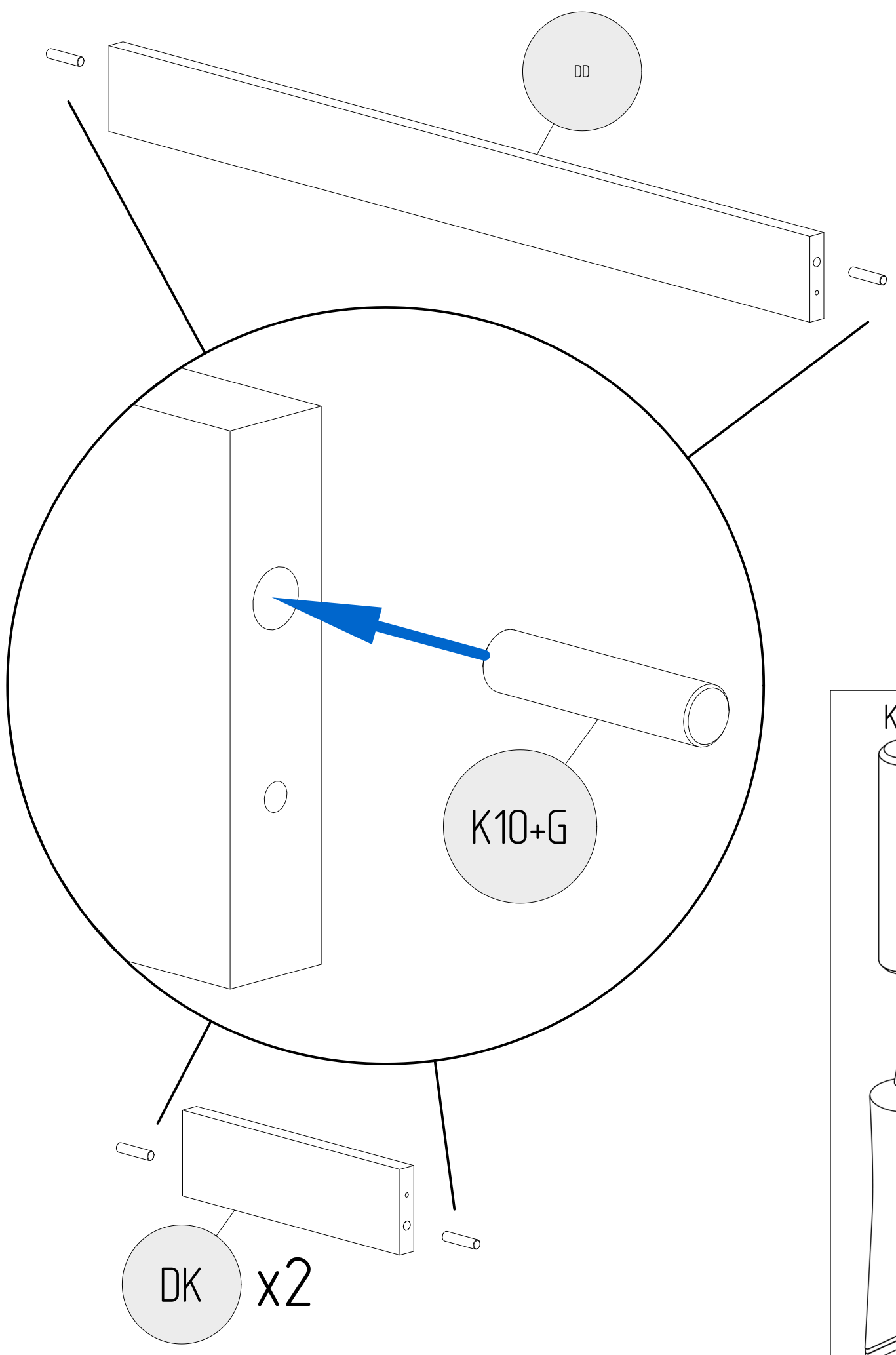


# BR

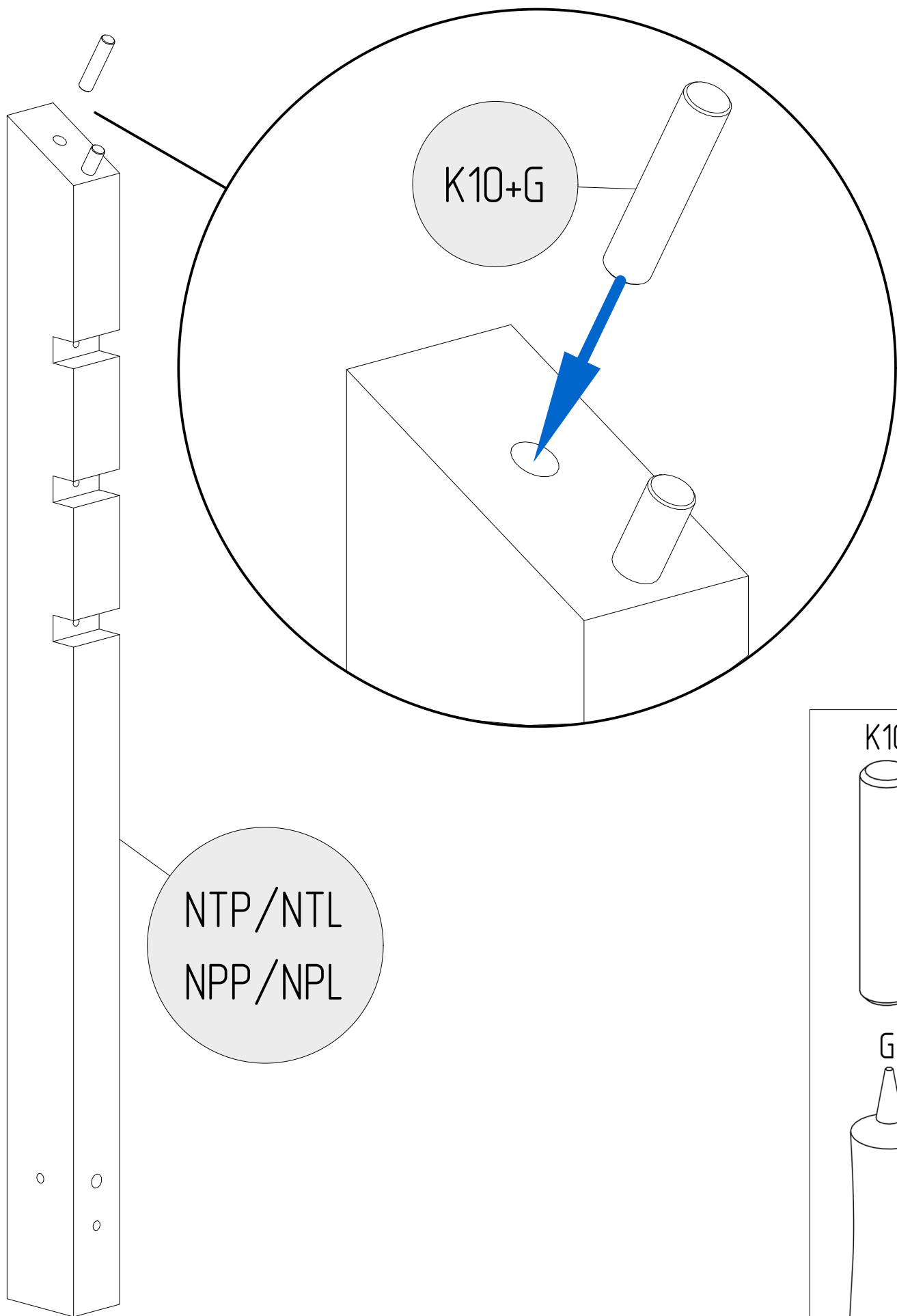




ELEMENT/PART	DD	DK	NTP	NTL	NPP	NPL	B2	BL	S110	S80	G	K10	INBUS
ILOŚĆ/QUANTITY	1	2	1	1	1	1	1	1	5	8	2	14	2



- K10
- G

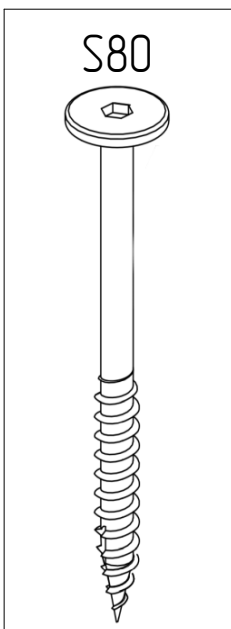
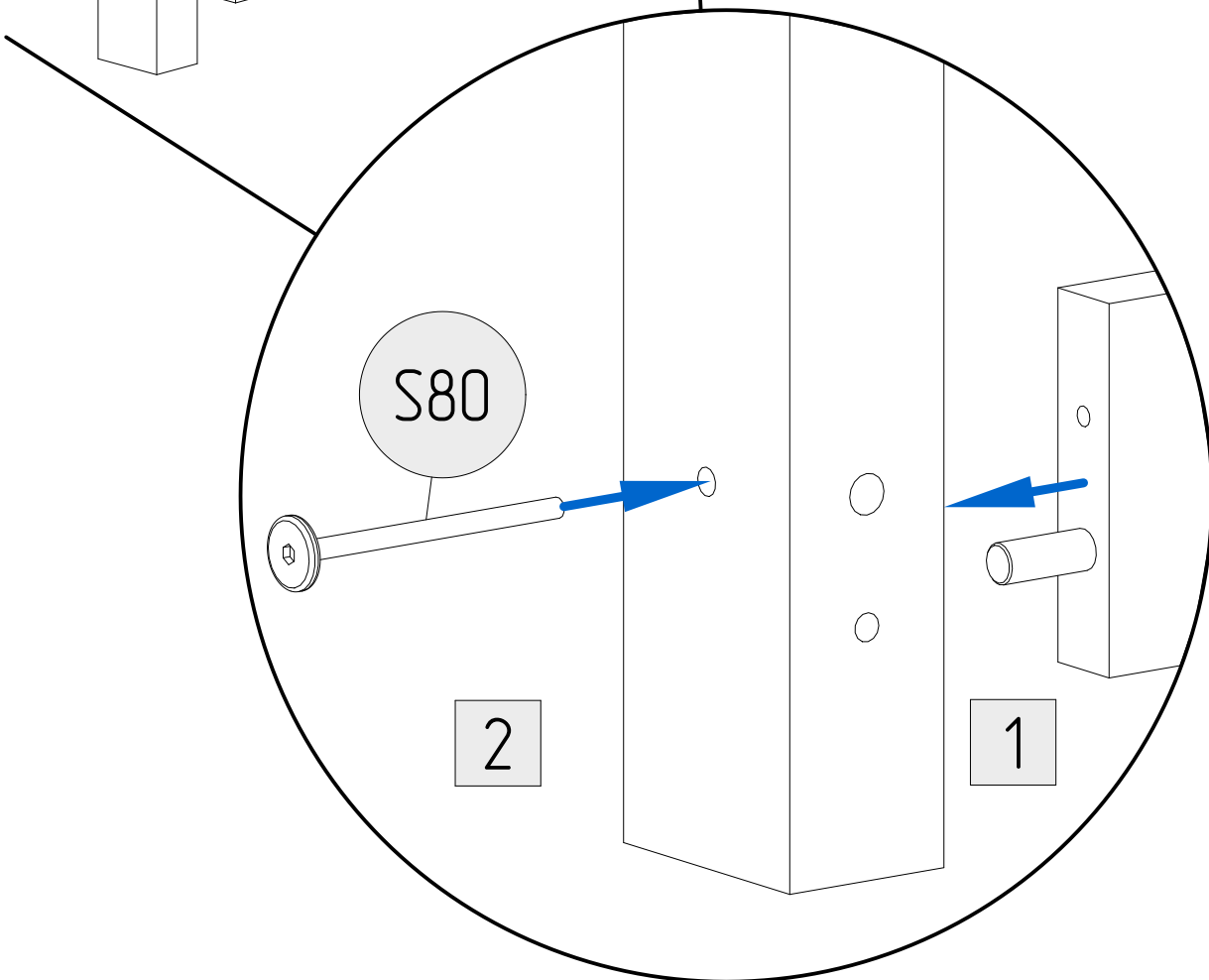
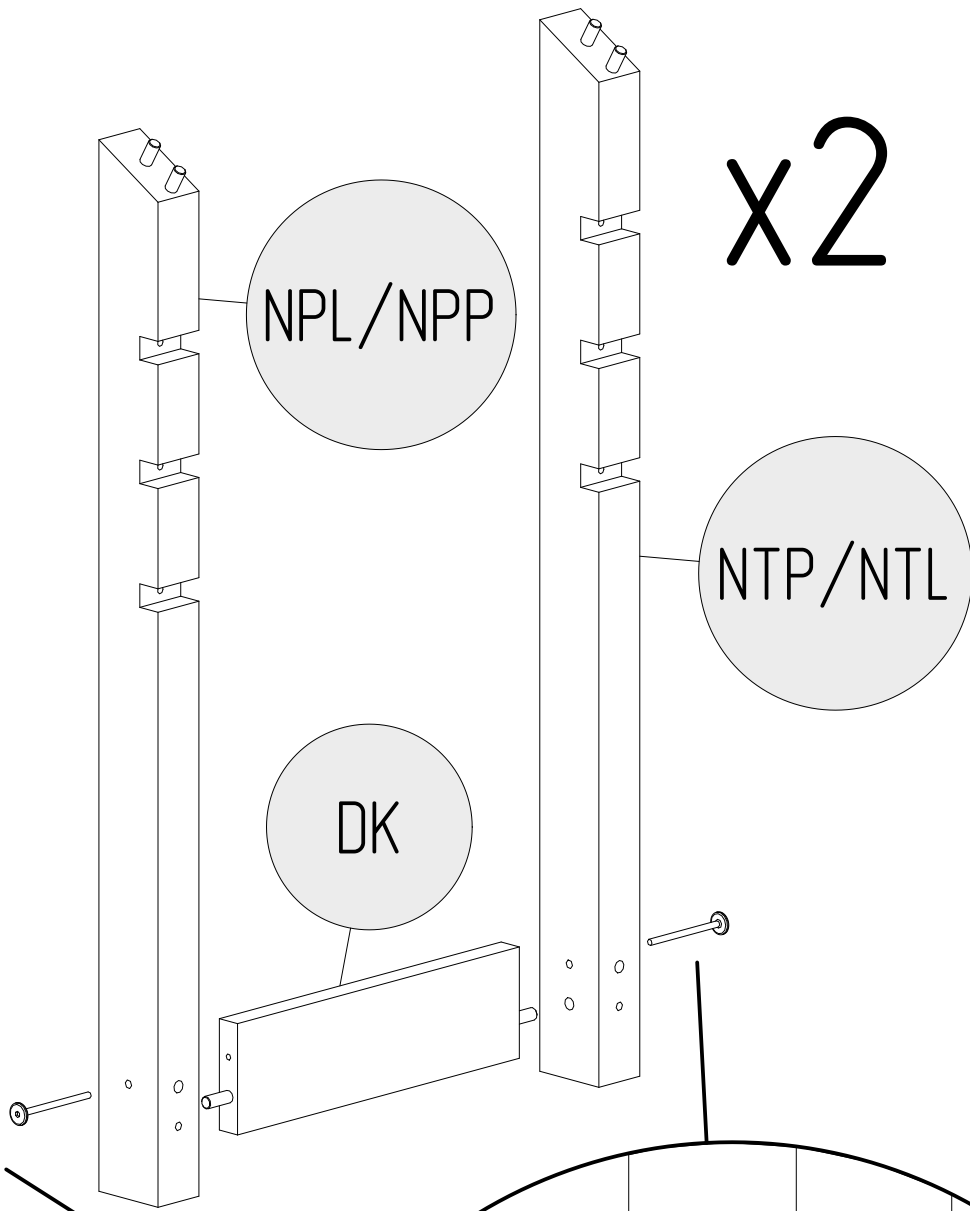


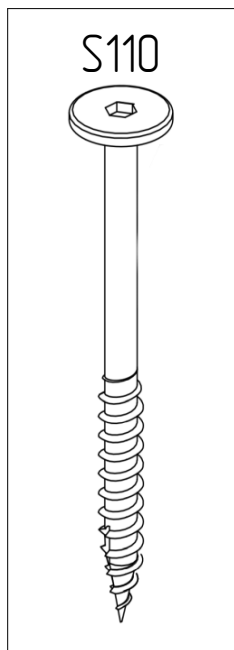
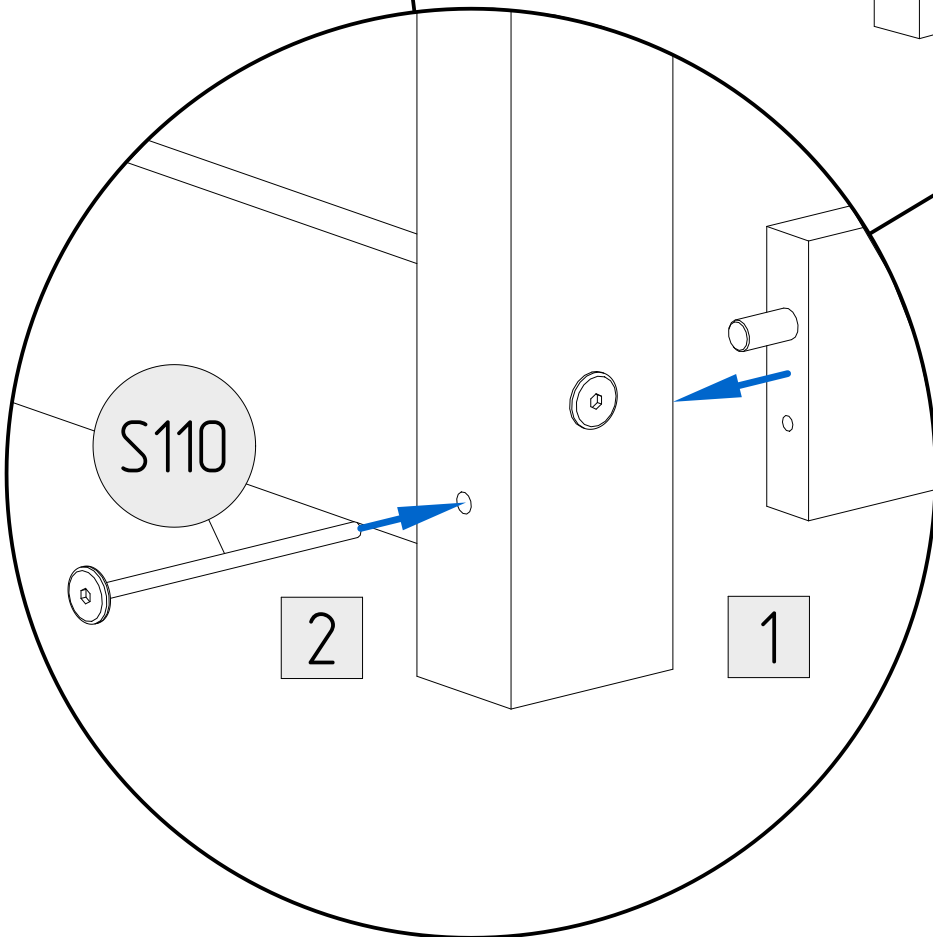
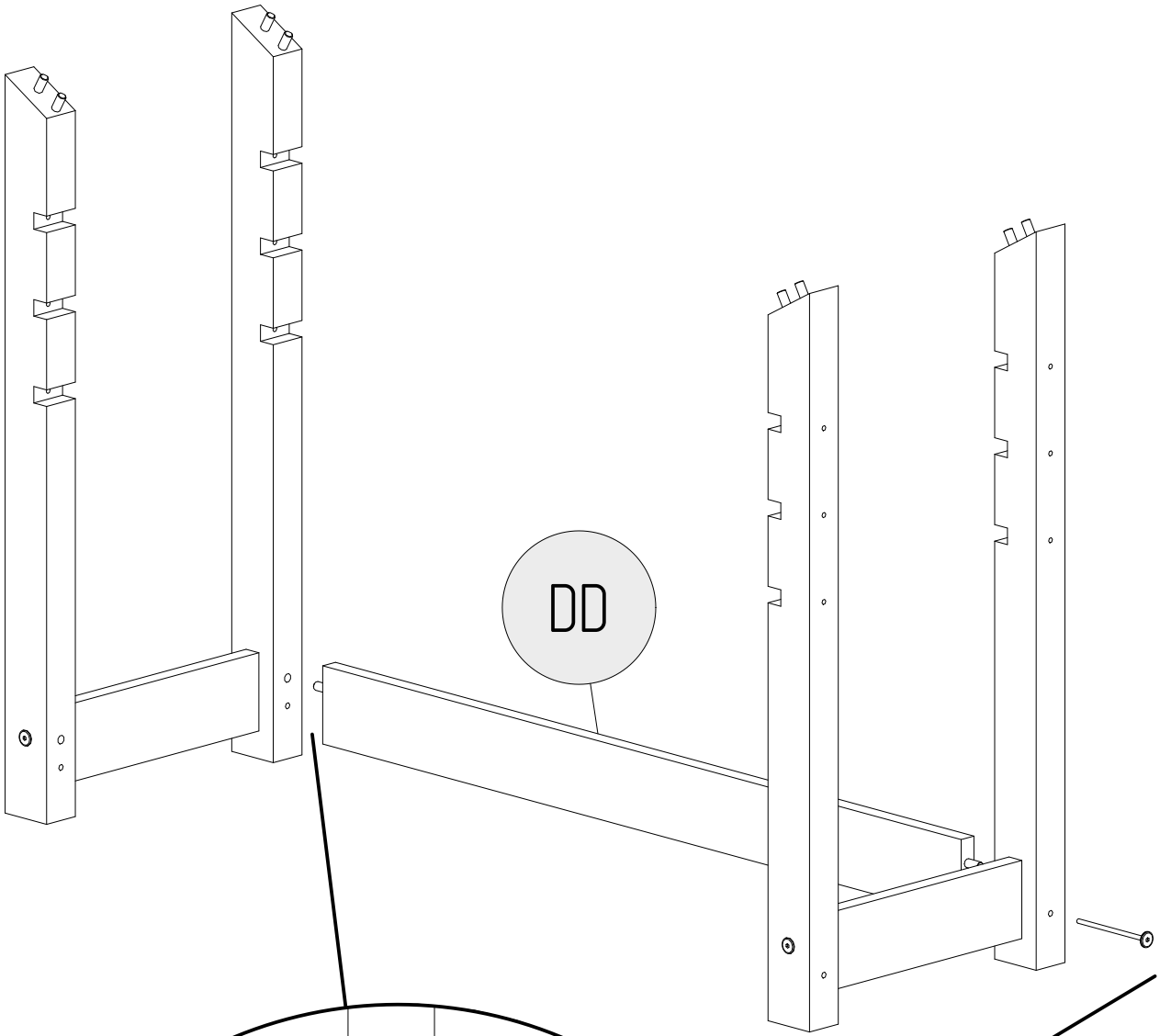
K10+G

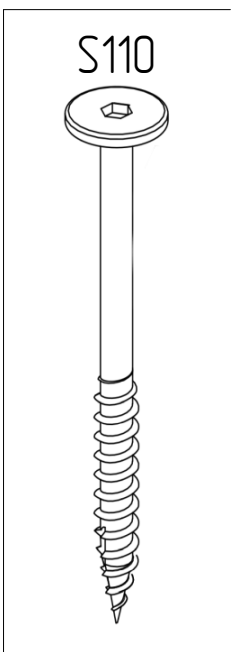
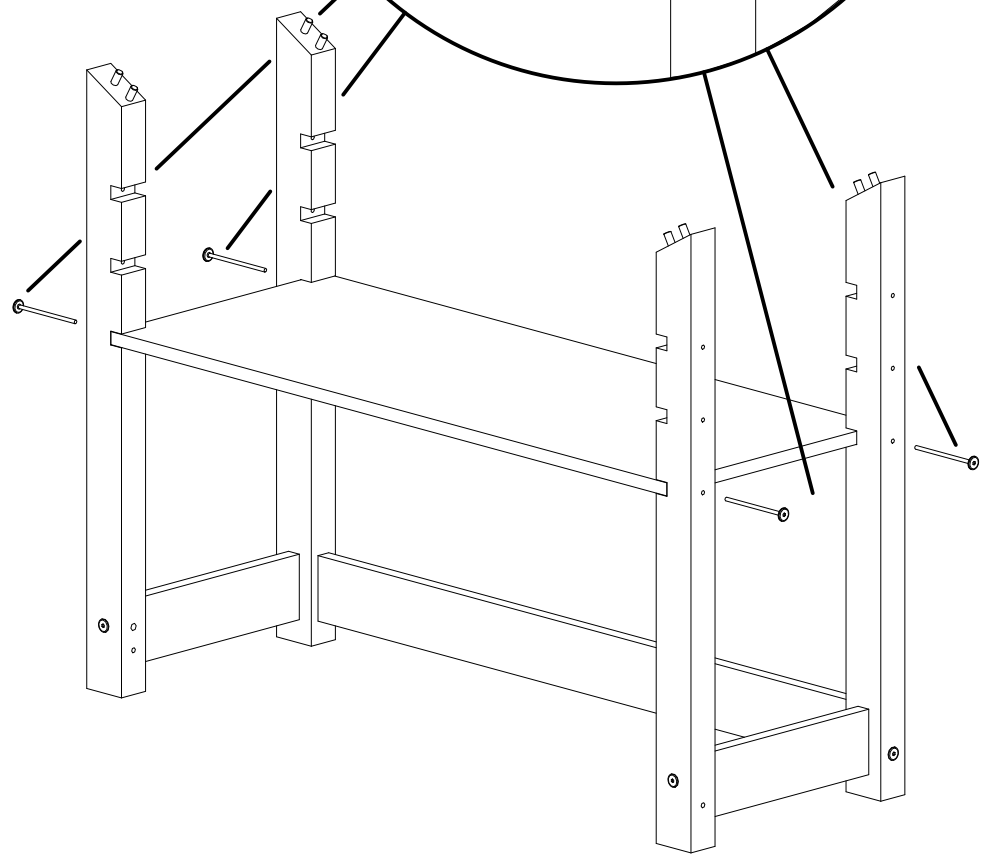
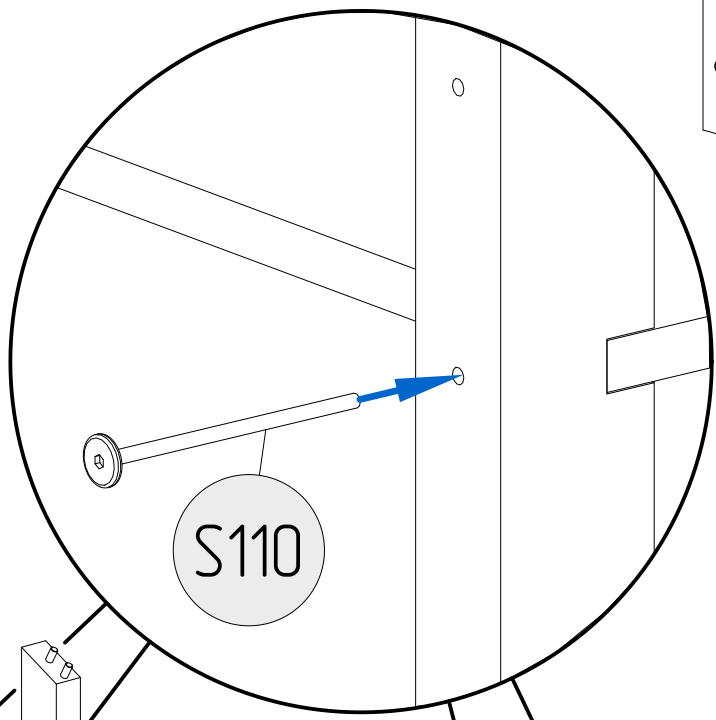
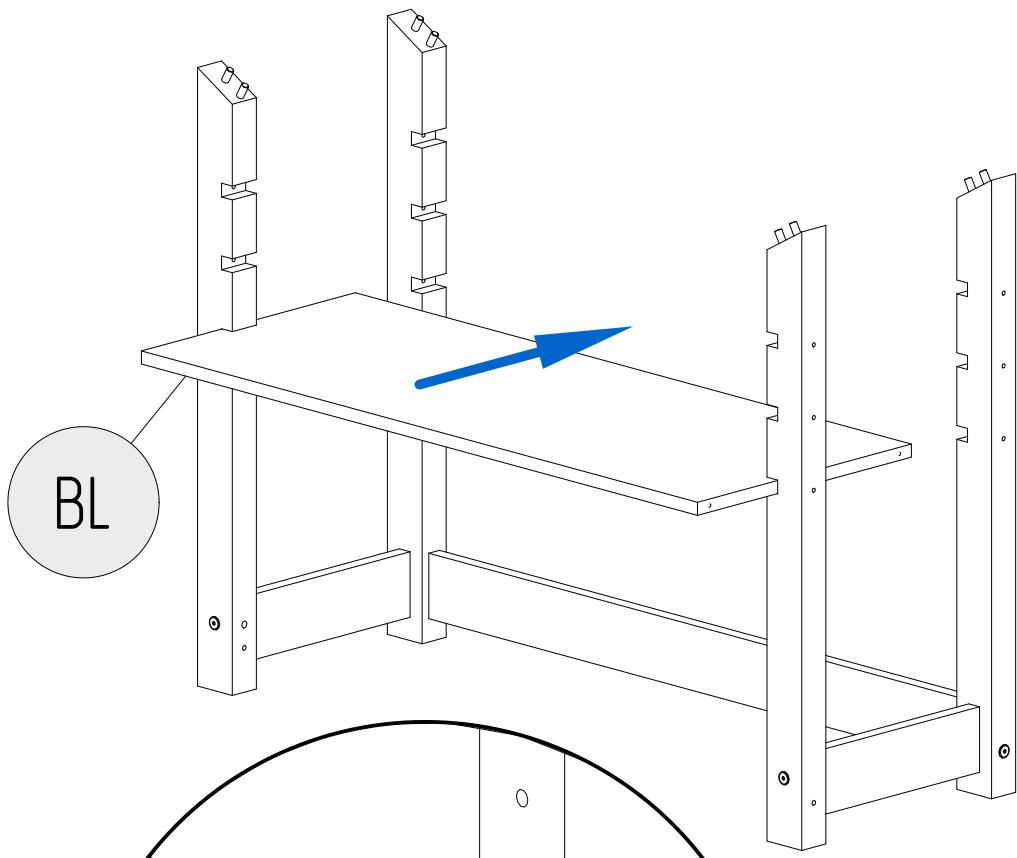
NTP/NTL  
NPP/NPL

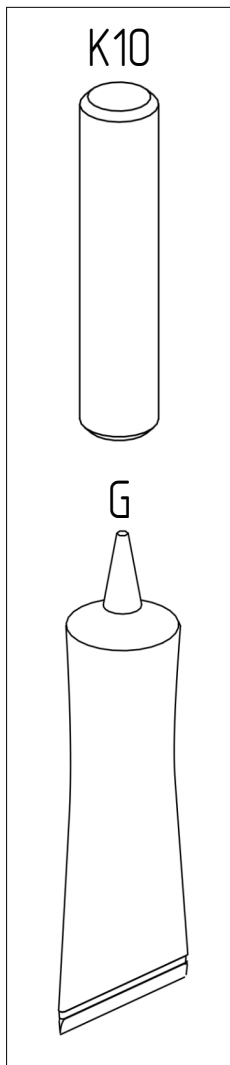
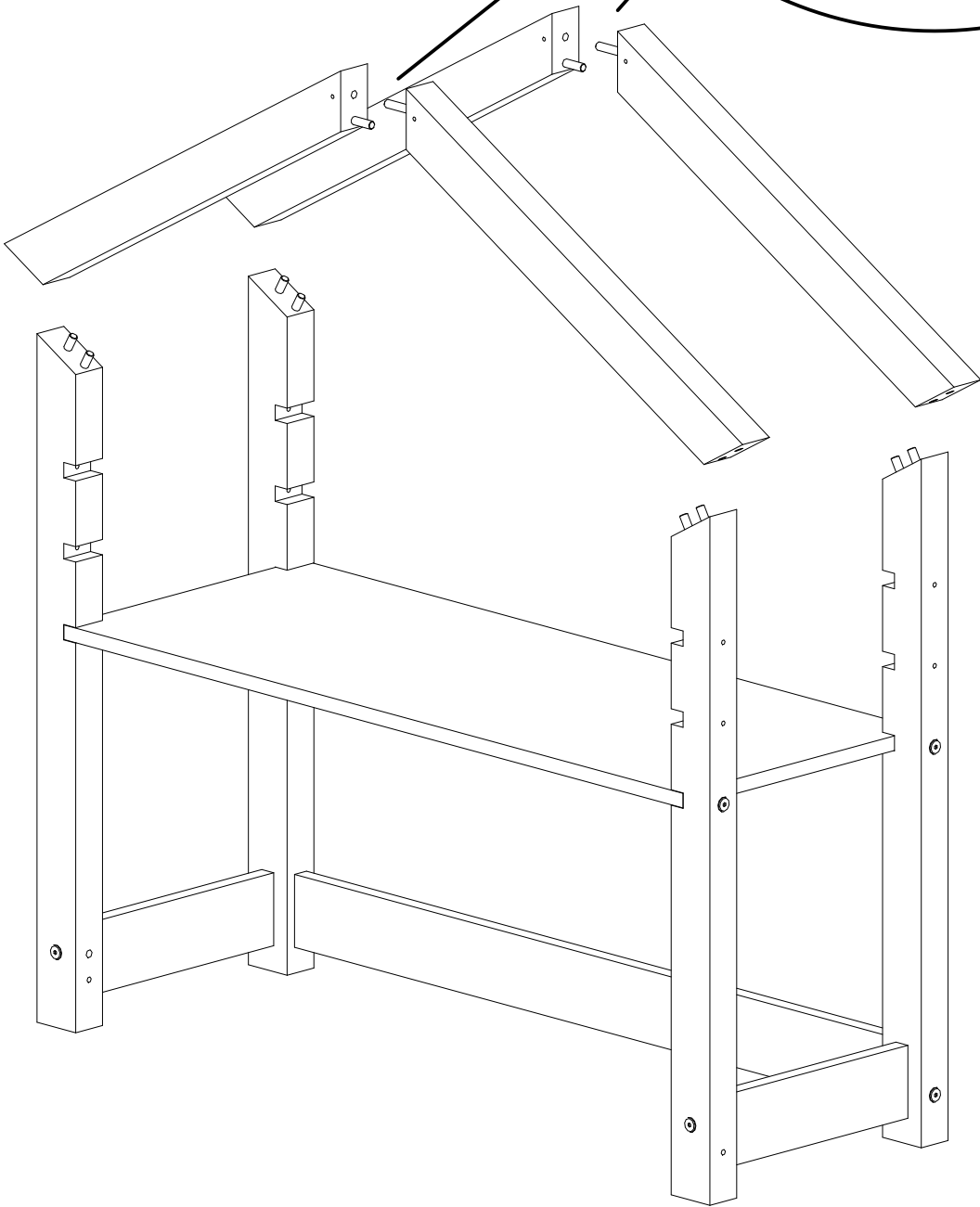
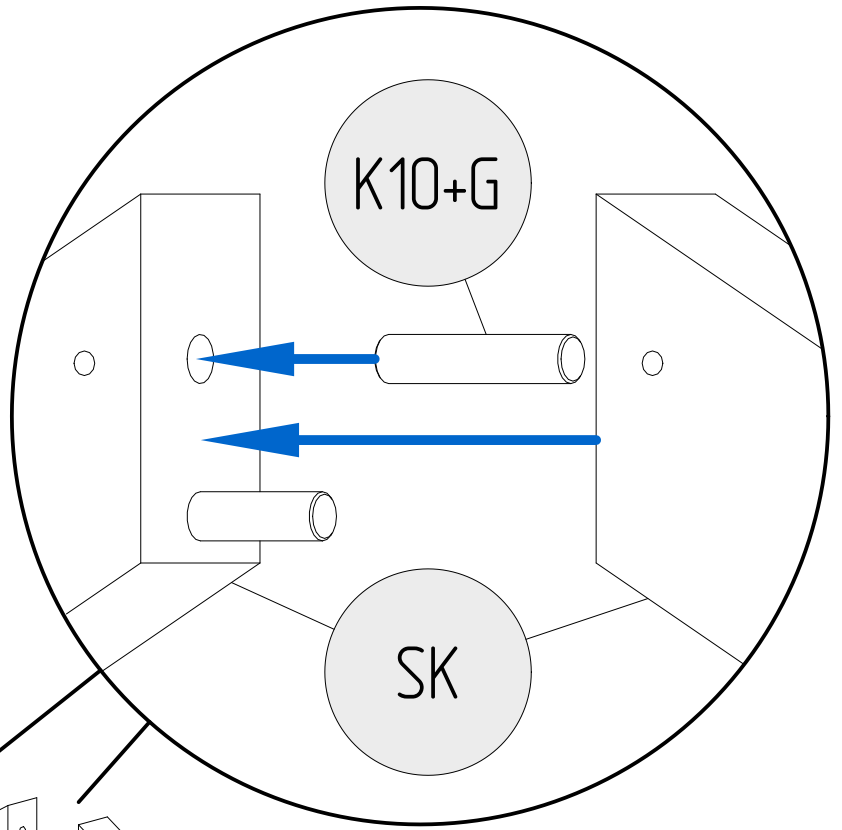
K10

G











B2

